



Tools

Item description	Item-No.
Cable Stripping Tool 4.40 – 7.00mm	8066215
Cable Stripping Tool 3.20 – 4.40mm	8066216
Cable Stripper	8066217
Torque-wrench set in wallet fully fitted for M8x1, M12x1 (knurl, hexagon-nut)	8055431
Adapter A/F for Food & Beverage hygienic M12x1	8063392

Outer jackets of cables with various lengths and diameters can now be removed with our new tools. Very often, long cable parts have to be stripped while wiring control cabinets. Tools from ESCHA help to remove them easily and quickly..

Recommended tightening torque according to IEC 61076-2 test requirements	
M8x1 round connectors	0.6 Nm
M8x1 receptacles	1.5 Nm
M12x1 round connectors	1.0 Nm
M12x1 receptacles	2,0 Nm

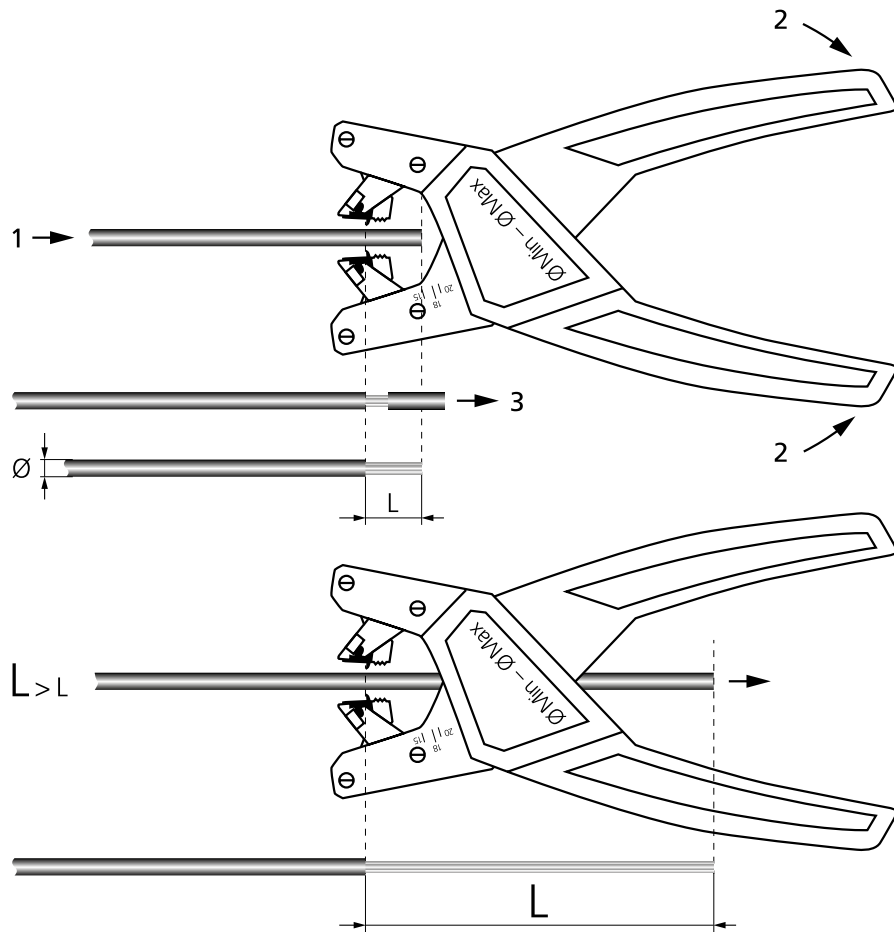
The use of a torque application tool is recommended for tightening and loosening of round connectors. The recommendations base on internal tests and cover a majority of applications and product combinations. Due to the design variety of products available on the market, specifications have to be checked in individual cases.

Cable Stripping Tool

No. 8066215: Ø4.40 – 7.00mm

No. 8066216: Ø3.20 – 4.40mm

Automatic Cable Stripping Tool for PUR halogen-free-, highly flexible TPE-U-, PUR-, PUR/PVC-, PVC, shielded and unshielded cables, multi-stranded.



WARNING

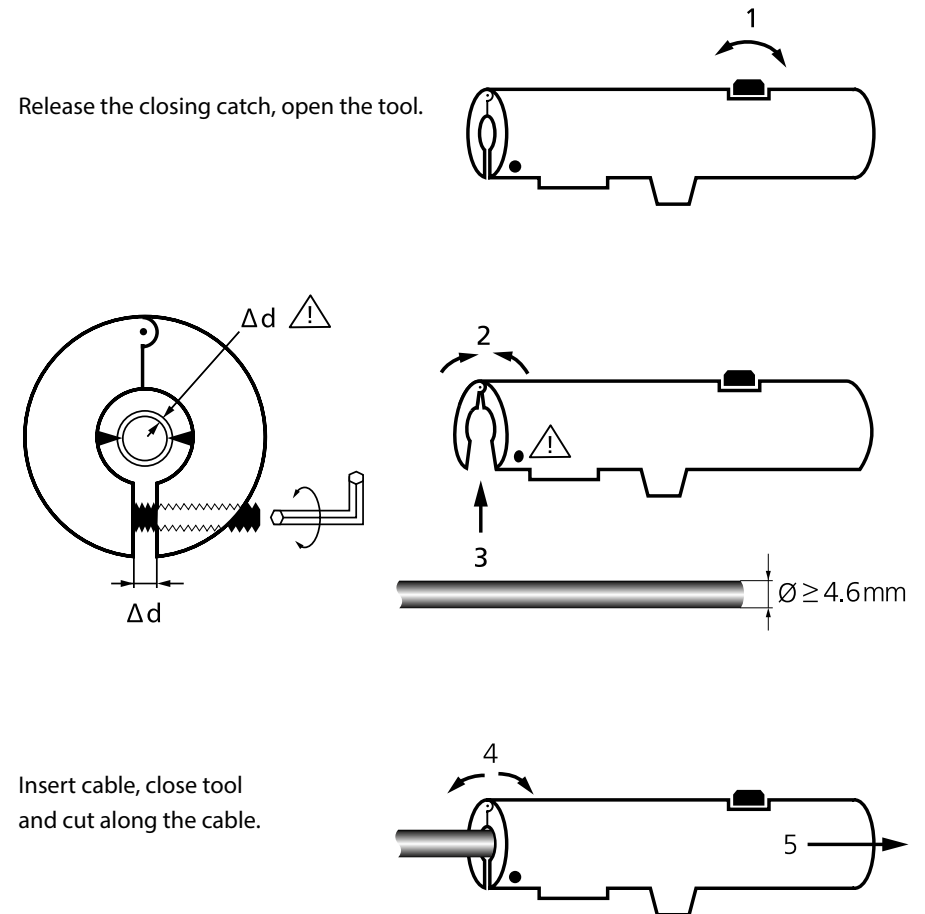
Never use tool on or near live electrical circuits!

Cable Stripper

No. 8066217

Cable stripper for longitudinal cut of sheathing of PUR-coated cables.

Release the closing catch, open the tool.



Insert cable, close tool and cut along the cable.

WARNING

Never use tool on or near live electrical circuits!